

PNEUMATIC STAPLING PLIER

氣動釘盒鉗



SP-2432



SP-2432L



SP-2432-178

The SP-2432 is a plier with fixed anvil. It is the perfect tool for sealing corrugated furniture packaging. The wide crown offers solutions to many heavy-duty packaging problems, such as fixing end caps to heavy fiber transport tubes and drums or connecting edge protectors. The tool can fasten up to two layers of triple wall corrugated board. The 2432 type staple is a wide crown staple, specially flattened for corrugated or fiberboard applications.

長(LENGTH) : 340mm

寬(WIDTH) : 67 mm

高(HEIGHT) : 224 mm

重(WEIGHT) : 2.5 kgs

工作喉深(throat depth) : 68mm(SP-2432)

130mm(SP-2432L)

178mm(SP-2432-178)

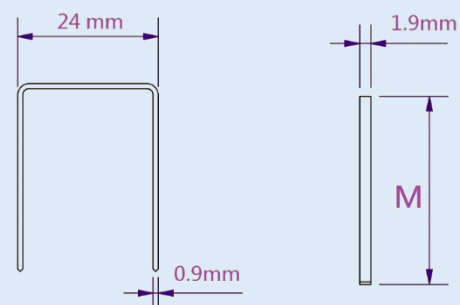
工作氣壓(working pressure) : 5~7 bar

最大工作氣壓(max pressure) : 8 bar

最大裝釘量(magazine capacity) : 100 pcs staple



SP-2432 氣動釘盒鉗是結合瓦楞紙產品的絕佳工具。釘子的規格提供了重包裝的解決方案。像纖維管的兩端端蓋的結合、鼓的兩端保護結合。這個工具可以結合兩片三層重型的瓦楞紙片。這個工具特別適合用在瓦楞紙板或纖維板的結合。



M: 16,19,22,25,28,32 mm