

PRD 12/11/2020  
EXP 12/11/2022

QTY 6 LOT 300 EXP: 23/03/2020

EXP: 091221  
LOT: 3551355

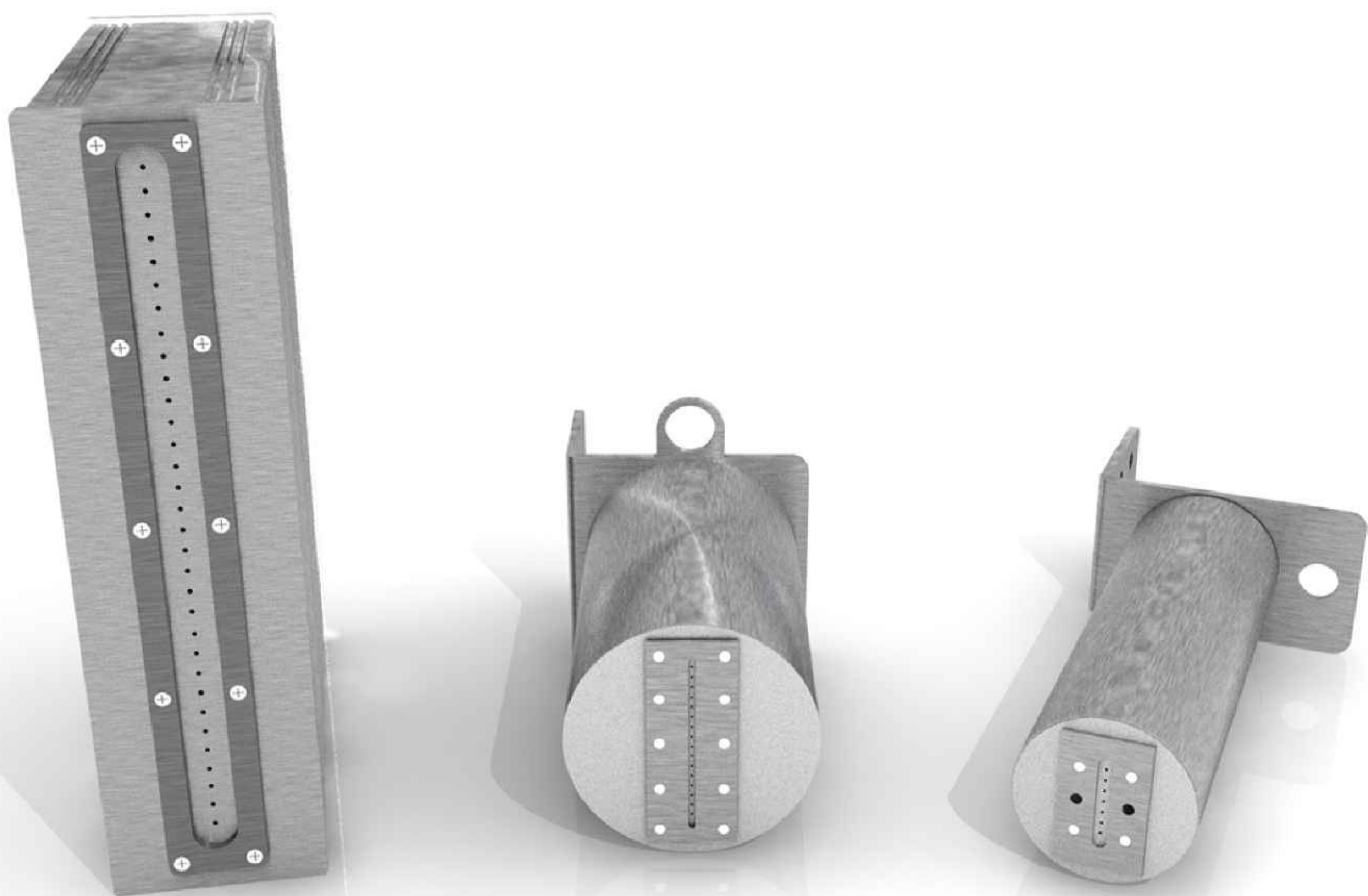
# Famjet MAKRO

The most large character printer.  
Reliable, easy to use, economical.



FAMJET MAKRO industrial ink-jet printing system is designed for marking any material and a variety of types of substrates such as pipes, bags insulation sleeves, fabrics, extruded packing, using the electromagnetic drop-on-demand technology (DOD).

FAMJET MAKRO technology has a performance record of solving the most challenging, industrial and packaging coding applications.

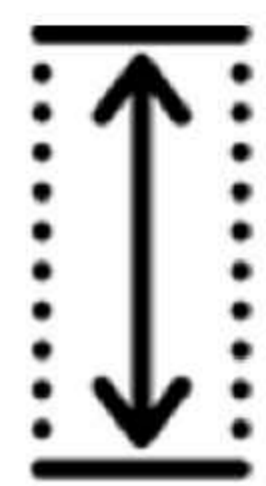


All FAMJET MAKRO series print-heads are suitable for a wide range of inks, such as water-based, mek-based, alcohol-based and pigmented. The FAMJET MAKRO system is especially designed to meet requirements in harsh ambient condition such as dust, humidity, vibrations, large variations in temperature and aggressive substances.



# Technical Specifications

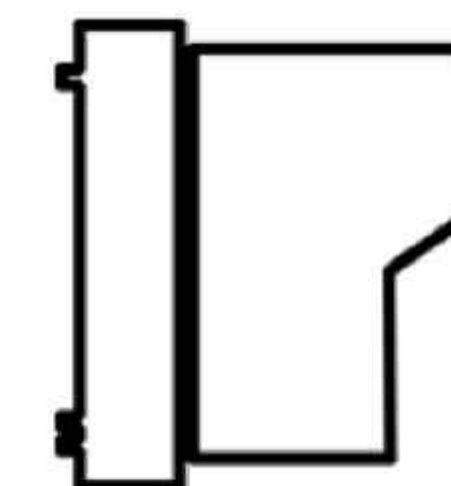
## FamJet Makro



**Printing height:**  
 7 dots height is 24mm  
 16 dots height is 60mm  
 32 dots height is 128mm



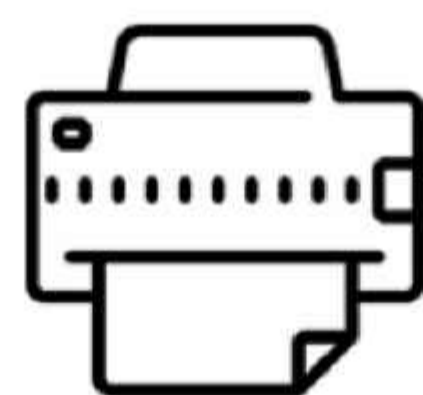
**Display:**  
 Touch Screen 7"



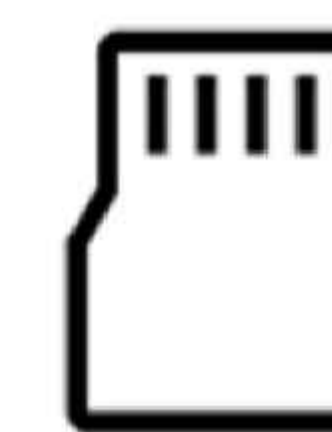
**Ink type:**  
 Water, Ethanol  
 or Mek Based



**Printing capabilities:**  
 Text, Variable informations  
 Alphanumeric characters,  
 logos.



**Printing Speed:**  
 60 m/min



**Memory:**  
 16 GB,  
 32 optional

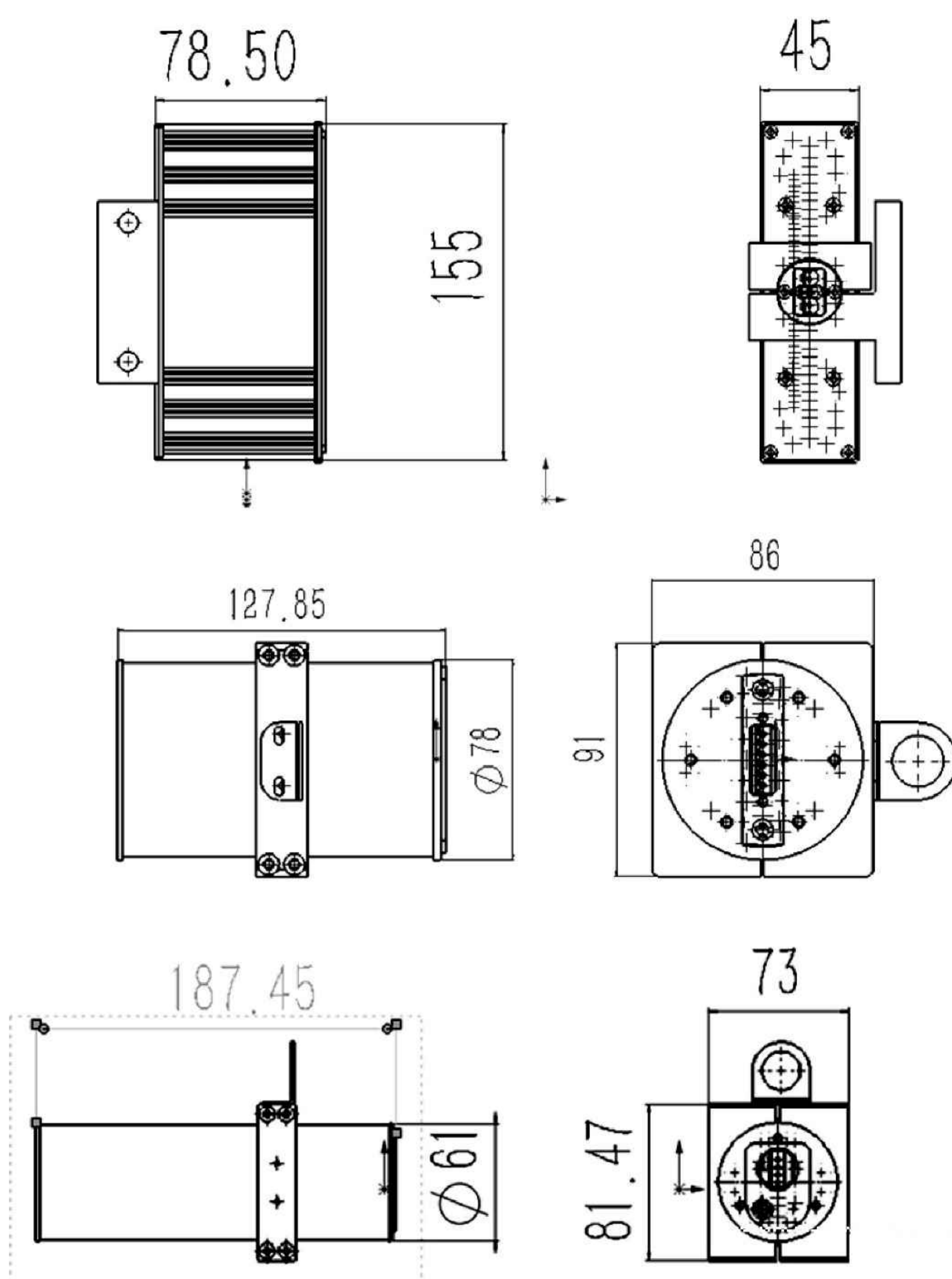


**User Interface:**  
 USB, Ethernet,  
 wi-fi connection



**Voltage:**  
 AC:110v-220VAc  
 a 50-60Hz 1A: 15v, 2A

### DIMENSIONS



Depth:  
 60mm



## TRIDISENO INDIA LIMITED

A-112 Kushal Mangal  
 Industrial Estate,  
 Tungareshwar Phata,  
 Off. W. E .H,  
 Vasai East, Palghar - 401208  
 Maharashtra.

Mb: 98927 44448  
[www.tridisenno.com](http://www.tridisenno.com)  
[sales@tridisenno.in](mailto:sales@tridisenno.in)